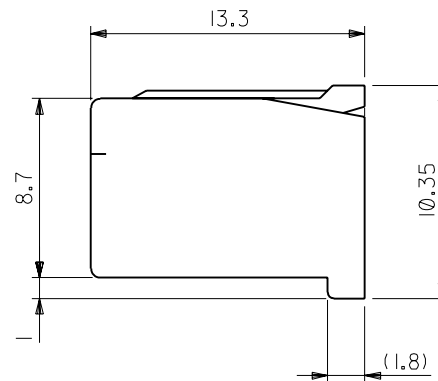
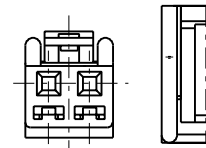


ターミナル装着状態図
TERMINAL ASSEMBLY DRAWING



注記 NOTES

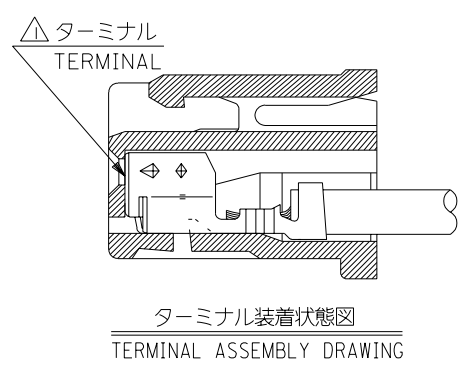
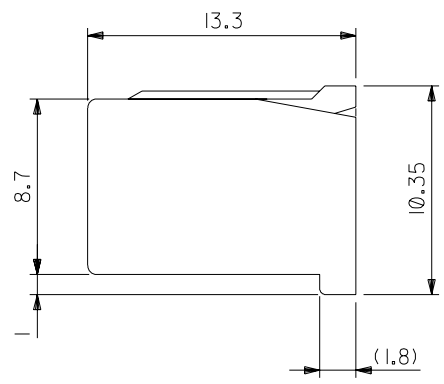
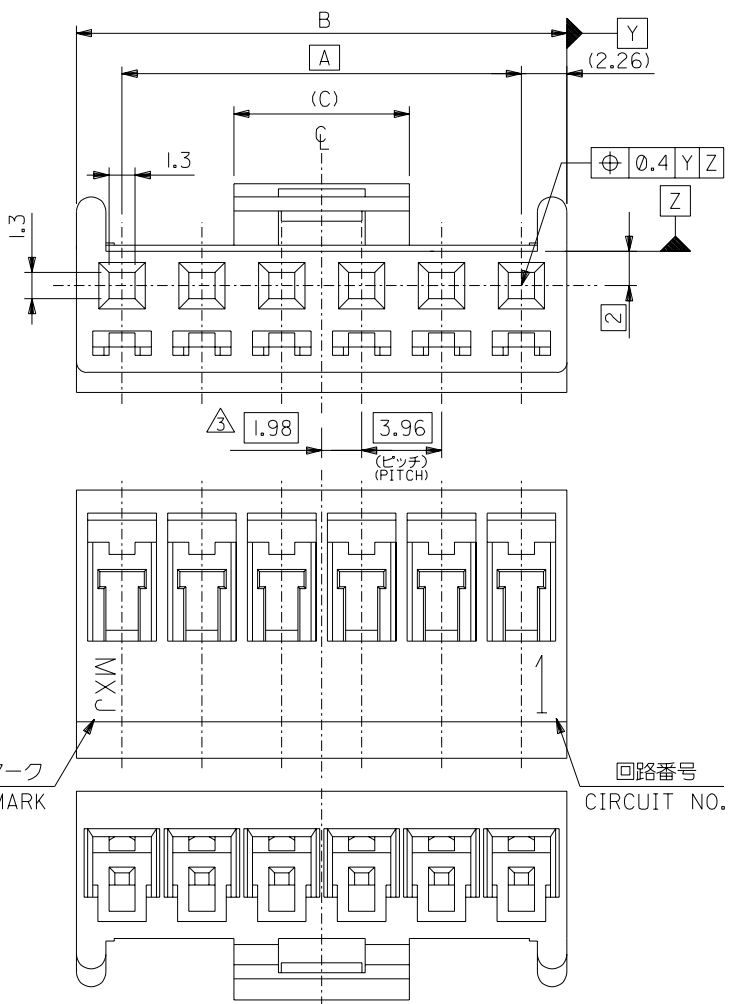
- △ 適合ターミナル : 50539-****
APPLICABLE TERMINAL : 50539-****
- 2. 嵌合相手 : 53520, 53521, 53525 シリーズ
MATE WITH : 53520, 53521, 53525 SERIES
- △ 偶数極のみ適用
APPLY FOR EVEN CKT.



2極に適用
APPLY FOR 2 CKT.

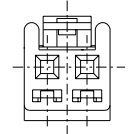
8.7	59.96	55.44	51144-1500	15
	56	51.48	-1400	14
	52.04	47.52	-1300	13
	48.08	43.56	-1200	12
	44.12	39.6	-1100	11
	40.16	35.64	-1000	10
	36.2	31.68	-0900	9
	32.24	27.72	-0800	8
	28.28	23.76	-0700	7
	24.32	19.8	-0600	6
	20.36	15.84	-0500	5
	16.4	11.88	-0400	4
	12.44	7.92	-0300	3
4.74	8.48	3.96	51144-0200	2
(C)	B	A	ENG. NO.	CKT. 極数

				材料 MATERIAL		PBTP, UL94V-0		MOLEX-JAPAN CO., LTD. 日本モレックス株式会社	
				仕上げ FINISH		—		REVISE ONLY ON CAD SYSTEM	
				適用電線範囲 WIRE RANGE		—		TITLE 名称	
				被覆外径 INS. RANGE		—		3.96 WIRE TO BOARD CONN. RECEPTACLE HOUSING	
角度 ANGLE		±3°		DRAWN BY '95/7/27		CHK'D BY '01/8/8		DWG. NO.	
30以上 OVER		+0.3		T.YAMAGUCHI		K.ASAKAWA		SD-51144-**-00	
10以上 OVER 30未滿 UNDER		+0.25		DR. '95/7/27				REV	
未滿 UNDER		+0.2		DR. CHK. 日付 DATE		APP'D BY '01/8/8		A	
一般公差 GENERAL TOLERANCES		記号 LTR		変更内容 REVISION RECORD		尺度 SCALE			
		A		変更 (J2002-0316)		—			
		0		新規/FEI RELEASED (JC60058)		—			



注記 NOTES

- △ 適合ターミナル：50539-****
APPLICABLE TERMINAL：50539-****
- 2. 嵌合相手：53520,53521,53525 シリーズ
MATE WITH：53520,53521,53525 SERIES
- △ 偶数極のみ適用
APPLY FOR EVEN CKT.
- 4. 製品型番の下1桁は色を表す。
LAST DIGIT OF PART NUMBER INDICATES COLOR.
1：黒 BLACK 2：赤 RED 3：黄 YELLOW
4：青 BLUE 5：灰 GRAY 6：緑 GREEN
7：茶 BROWN 8：橙 ORANGE 9：紫 VIOLET
0：白 WHITE



2極に適用
APPLY FOR 2 CKT.

8.7	59.96	55.44	51144-150*	15
	56	51.48	-140*	14
	52.04	47.52	-130*	13
	48.08	43.56	-120*	12
	44.12	39.6	-110*	11
	40.16	35.64	-100*	10
	36.2	31.68	-090*	9
	32.24	27.72	-080*	8
	28.28	23.76	-070*	7
	24.32	19.8	-060*	6
	20.36	15.84	-050*	5
	16.4	11.88	-040*	4
8.7	12.44	7.92	-030*	3
4.74	8.48	3.96	51144-020*	2
(C)	B	A	MATERIAL NO.	CKT. 極数

DO NOT SCALE DRAWING	図番 NO. DRAWN: CH'K: APPR:	図番 NO. DRAWN: CH'K: APPR:	図番 NO. DRAWN: CH'K: APPR:	図番 NO. DRAWN: CH'K: APPR:	図番 NO. DRAWN: CH'K: APPR:	図番 NO. J2003-1148 DRAWN: T.TSUBOI '02/10/25 CHK: K.ASAKAWA '02/10/25 APPR: T.YAMAGUCHI '02/10/25 RELEASED	MATERIAL 材料 ポリエステル (PBT)、充填材なし POLYESTER (PBT), UNFILLED, UL94V-0	GENERAL TOLERANCES: (UNLESS SPECIFIED) 一般公差	SCALE 1:1 DESIGN UNITS <input checked="" type="checkbox"/> mm <input type="checkbox"/> INCH	MODEL NO. 51144-**-0* DIMENSIONS: <input type="checkbox"/> mm <input type="checkbox"/> INCH <input checked="" type="checkbox"/> mm ONLY	SHT 1 OF 1 REV	
	DESCRIPTION 回路番号 適用電線範囲							FINISH 仕上げ	10 UNDER 未満 ±0.2 10 OVER 30 UNDER 未満 ±0.25 30 OVER 以上 ±0.3	DRAWN BY & DATE T.TSUBOI '02/10/25	TITLE: 3.96 WIRE TO BOARD CONN. RECEPTACLE HOUSING	
	INS. RANGE 被覆外径							WIRE RANGE 適用電線範囲	CHECKED BY & DATE K.ASAKAWA '02/10/25	MOLEX MOLEX INCORPORATED		
								ANGLE 角度 ±3°	APPROVED BY & DATE T.YAMAGUCHI '02/10/25			CAD FILENAME SD-51144-001.S01
THIS DRAWING CONTAINS INFORMATION THAT IS PROPRIETARY TO MOLEX INCORPORATED AND SHOULD NOT BE USED WITHOUT WRITTEN PERMISSION.											SIZE B	